

# SUPER START<sup>+</sup> MARINE DEEP CYCLE



## MARINE DEEP CYCLE BATTERIES



**More fish-finding, trolling and accessory power** Designed for the long, slow discharges of deep cycle service

**Rugged vibration resistant construction**  
Reinforced internal design withstands wave-pounding vibration



**Built-in protection against deep discharge damage** Heavier plates and fiberglass mat resist negative effects of demanding deep cycle use

**Stainless steel terminal and SAE post**  
Corrosion-resistant with dual terminal connections

**Convenient handle** Significantly improves ease of transportation and installation

Marine & RV Deep Cycle batteries deliver the long, slow discharge of power necessary to run trolling motors, heavy marine accessory loads, or demanding RV house power. Built-in protection against deep discharge damage provides added resistance against the rigorous wear of continual deep cycle use, such as extended trolling or travel. These batteries also deliver moderate power for starting.

## MARINE DEEP CYCLE SPECIFICATIONS

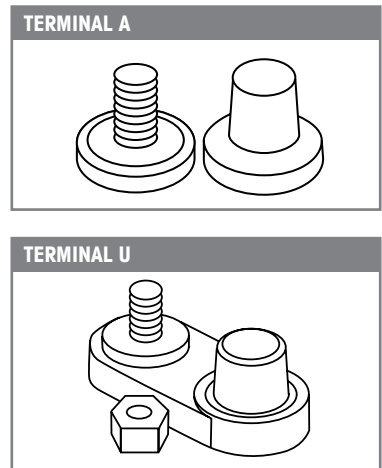
Group Number	Part Number	Performance Level					Max. Overall Dimensions (Inch)			Footnotes
		CCA @ 0°F	MCA @ 32°F	MINS @ 23A	MINS @ 25A	20 HR Capacity	Length	Width	Height	
<b>12-VOLT MARINE / RV DEEP CYCLE - 12 MONTHS FREE</b>										
24M	24DCM	425	530	150	130	75	10-3/4	6-3/4	9-3/8	11,17,U
27M	27DCM	490	610	200	175	90	12-1/2	6-3/4	9-3/8	11,17,U
27M	31DCM	550	690	225	190	105	13	6-3/4	9-1/2	11,17,21,22,A
<b>12 - VOLT MARINE / RV DUAL PURPOSE STARTING / DEEP CYCLE / AGM - 12 MONTHS FREE</b>										
34M	34MAGM	775	890	—	120	55	12-3/4	6-3/4	9-3/8	2,7,13,17,38,39,U
27M	27MAGM	580	900	—	185	92	12-3/4	6-3/4	9-3/8	2,7,13,17,38,39,U
31M	AGM31DT	800	1000	—	210	105	12-15/16	6-3/4	9-3/8	2,7,13,17,38,39,A

### FOOTNOTES:

- Batteries manufactured in polypropylene cases and covers
- CCA ratings conform to B.C.I. specifications
- Ratings other than CCA, are nominal
- CCA and RC ratings conform to B.C.I. specifications
- MCA is a reference rating only
  - 2 All batteries have a black cover and gray case
  - 7 Calcium Maintenance-Free grids
  - 11 Low maintenance - low antimony grids
  - 13 Absorbed Glass Mat Technology (AGM)

- 17 Includes handle
- 21 Anchor locked elements
- 22 Flush manifold vented cover
- 38 "Non-spillable" defined by DOT (Department of Transportation) definitions
- 39 "Non-spillable" defined by ICAO (International Civil Aviation Organization) and IATA (International Airline Transport Association) definitions
  - A Flush combination terminal w/ 5/16" stud and SAE Post, hex nuts included
  - U Molded-in offset SAE post and vertical 5/16" POS and NEG stainless steel studs with hex nuts

### TERMINAL PICTURES



MARINE DEEP CYCLE BATTERIES



All data subject to change without notice. No part of this document may be copied or reproduced, electronically or mechanically without written permission from the company.

Form No. 2120 Rev 3/18 ©2018 Printed in the U.S.A.

