

**SUPER
START**
POWER SPORT
+AGM ABSORBED GLASS MAT



POWER SPORTS BATTERIES



Advanced AGM Technology – No filling or activation for hassle-free installation and maintenance-free performance

Enhanced Electrolyte Suspension System – Holds more acid and optimizes starting power

Spillproof Design – Protects expensive equipment and the environment

Vibration Resistant – Durable use for off-road recreation

Molded Top and Side Connection Terminals – Provide versatility, strength, and reliability

Flexible Design – Can be installed in most any position (upside-down is not recommended)

Super Start Power Sports Absorbed Glass Mat (AGM) batteries offer superior maintenance-free performance ideal for power sports vehicles like ATVs, motorcycles, personal watercrafts, and snowmobiles. Its advanced features and AGM design allows easy installation without hassles of initial activation or acid filling to avoid time-consuming maintenance. Completely spillproof with added vibration resistance, these batteries increase performance, service life, and safety with plenty of quick-starting AGM power.

POWER SPORT SPECIFICATIONS

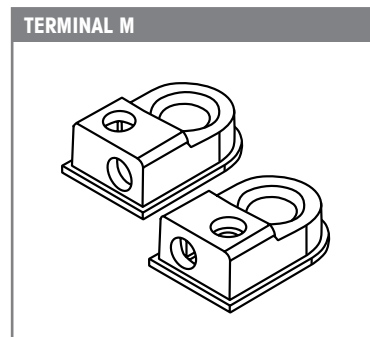
Part Number	Performance Level		Weight (lbs.)	Max. Overall Dimensions (Inch)			Footnote	Replaces these part numbers
	CCA @ 0°F	10 AH Capacity		Length	Width	Height		
12-VOLT AGM POWER SPORTS — SEALED VALVE REGULATED — ACTIVATED								
ETX9	120	8	7.5	5-7/8	3-7/16	4-3/16	2,38,39,M	CTX9, ES-TX9, FAYTX9, GTX9-BS, M729BS, PTX9BS, YTX9
ETX12	180	10	10	5-7/8	3-7/16	5-1/8	2,38,39,M	CTX12, EX-TX12, FAYTX12, GTX12, M7RH2S, PTX12BS, YTX12, 12B-B2
ETX14	220	12	11.5	5-7/8	3-7/16	5-3/4	2,38,39,42,75, M	CTX14, EX-TX14, FAYTX14, GTX14, M7RH4S, YTX14, YTX14H, YTX16-BS
ETX14L	220	12	11.5	5-7/8	3-7/16	5-3/4	2,38,39,M	CTX14L, M7RG4L, PTX14LBS, YTX14L
ETX15	220	14	11.5	5-1/4	3-1/2	6-9/16	2,38,39,42,76, M	CTX14AH, FAYTX14AH, GTX14AH, M72H4A, PTX14AHBS, YTX14AH, 14-A2, 14-B2, 14A-1A / A2
ETX15L	220	14	11.5	5-1/4	3-1/2	6-9/16	2,38,39,M	CTX14AHL, FAYTX14AHL, GTX14AHL, M72H4L, YTX14AHL
ETX16	325	19	17	6-7/8	4	6-1/8	2,38,39,M	CTX19, GT16, PTX19BS, 16-B / LM, 16C-B, 60N-24-A*, 12N16-3A / 3B
ETX16L	325	19	17	6-7/8	4	6-1/8	2,38,39,M	CTX19L, CTX19CL-B, GT16L, PTX19LBS, PTX19CLB, 16HL-A-LM / CX, 16L-B, 16CL-B, 12N16-3B, 12N24-3*, 12N24-3A*
ETX18L	340	20	18	8-1/8	3-9/16	6-3/8	2,38,39,M	CTX24HL, FAYTX24HL, GTX18L, M7250H, PIX50LBS, SC24HLFA, YTX24HL, 50-N18L-A / A2 / A3, 50-N18L-A-LM / CX
ETX20L	310	17.5	15	6-7/8	3-7/16	6-1/8	2,38,39,M	CTX20L, CTX20HL, ES-TX20L, FAYTX20L, FAYTX20HL, GTX20L, M720BS, M720BH, PTX20LBS, PTX20HLBS
ETX30LA	400	26	21.5	6-5/8	5-3/16	7-3/4	2,18,38,39,78,M	CTX30L, CTX30CL-B, CITX30CL-B, ES-TX30L, FAYIX30L / PW, M7230L, M6230X-PW, PIX30LBS, PIX30CL-BS, SC30LFA, YIX30L-BS / PW, 30L-B, 30CL-B

FOOTNOTES:

- * Hold down modifications required
- Weights are approximates
- 10 AH rating is "nominal"
- CCA and RC ratings conform to B.C.I. specifications
- 2 All batteries have a black cover and gray case
- 18 Includes height adapter, if needed
- 38 "Non-spillable" defined by DOT (Department of Transportation) definitions

- 39 "Non-spillable" defined by ICAO (International Civil Aviation Organization) and IATA (International Airline Transport Association) definitions
- 42 Height without adapter
- 74 Shipped with 20mm height adapter
- 75 Shipped with two (2) 17mm height adapters
- 76 Shipped with 10mm height adapter

TERMINAL PICTURES



All data subject to change without notice. No part of this document may be copied or reproduced, electronically or mechanically without written permission from the company.

Form No. 0806 Rev 3/18 ©2018 Printed in the U.S.A.

